

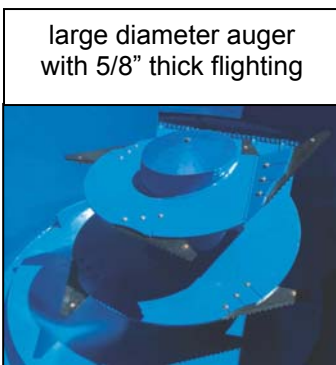


Quality Products Since 1968

Manufactured by:  
**Helm Welding (1983) Limited**

**Vertical TMR Mixer Feeders**  
**“Single Vertical”**

Standard Features



large diameter auger with 5/8" thick flighting



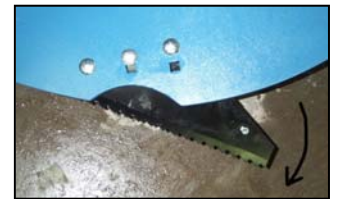
3/4" adjustable hay restrictor plates



some features shown may be optional



standard side discharge with slide chute



adjustable knives for more aggressive mixing action



PTO drive assembly with shear bolt for equipment protection



exclusive multi-lobe PTO drive shaft that provides constant lubrication

- Adjustable tongue for ease of hook on various draw bar heights
- Door cylinder equipped with relief valve protection
- Planetary drive system with easily accessible service and maintenance lubricating
- Tungsten coated knives
- All single screw vertical mixers come complete with a reliable weigh bar scale system including a basic read up, read down electronic indicator

## Options



Hydraulic cross conveyor to feed both sides



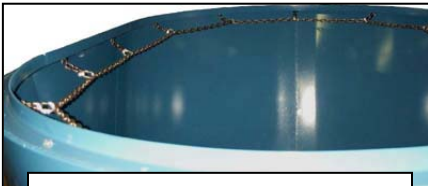
Hydraulic raise and lower discharge conveyor extensions



magnet kit available for slide chute or unloading conveyor



2-speed gearbox for better mixing power



Chain overflow kit to retain lighter mixes in tub



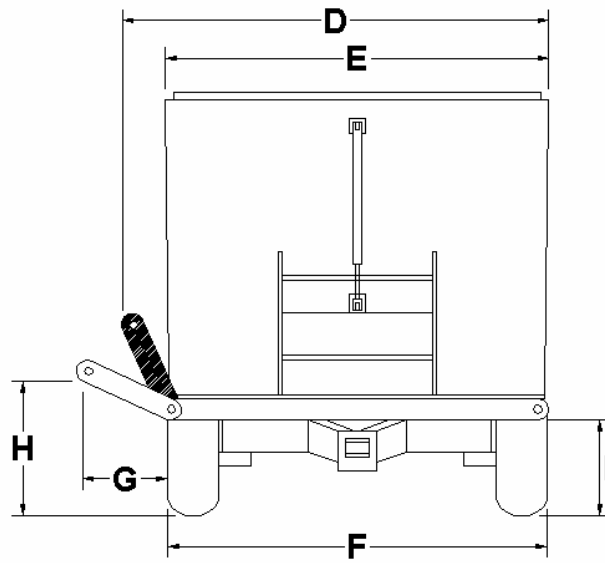
9" rubber extension for larger capacity mixes

- Upgrade to various electronic scale indicators and accessories
- Special conveyor lengths
- knife option – carbide tip

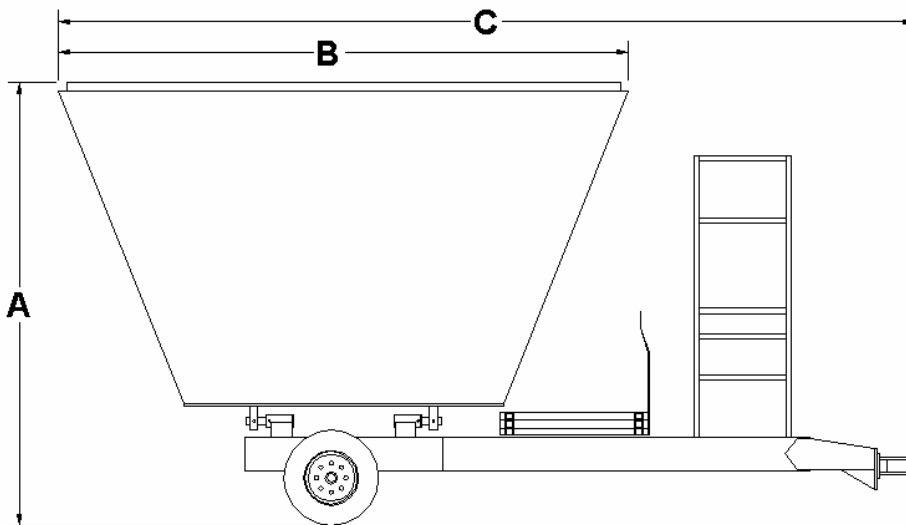
## Single Screw Specification Table

	Low Profile			Standard		
	<u>MODEL</u> 2300	<u>MODEL</u> 2350	<u>MODEL</u> 2420	<u>MODEL</u> 2140	<u>MODEL</u> 2150	<u>MODEL</u> 2160
A - Overall Height	98	98	101	110	111	113
B - Tub Length	127	136	141 ½	135	144	149 ½
C - Overall Length	203	208	211	207	212	215
D - Overall Transport Width						
- Slide Chute	97 ½	97 ½	102	97 ½	97 ½	102
- Bi-direction conv.	102	102	102	102	102	102
- 36" Conveyor Extension	110	110	110	110	110	110
E - Tub Width	87	96	102	87	96	102
F - Tread Width	93	93	96	93	96	96
G - 36" Conveyor Ext						
- lowest position reach	28	28	28	28	28	28
H - 36" Conveyor Ext						
- min. unloading height	35	35	35	35	35	35
- max. unloading height	50	50	50	50	50	50
I - Bi-direction Cross Conv.	24	24	24	24	24	24
- max. unloading height						
Scale System	4 - Point	4 - Point	4 - Point	4 - Point	4 - Point	4 - Point
Tires	12.5LX15	12.5LX15	19.0/45-17	12.5LX15	19.0/45-17	19.0/45-17
Number of Augers	1	1	1	1	1	1
Tungsten Coated Knives (qty)	6	7	7	7	8	8
Auger Flighting (thickness)	5/8	5/8	5/8	5/8	5/8	5/8
Floor Thickness (excluding 5/8" support plates)	5/8	3/4	3/4	5/8	3/4	3/4
Hopper Wall (thickness)	1/4	1/4	1/4	1/4	1/4	1/4
Door Opening Width	40	40	40	40	40	40
PTO (1000 rpm optional)	540 rpm	540 rpm	540 rpm	540 rpm	540 rpm	540 rpm
Approx. Weight c/w cross conveyor & ext. (Lbs.)	7,650	8,790	9,890	7,900	9,240	10,150
Cubic Ft. Level Capacity	300	350	420	350	420	510
Cubic Ft. Level Capacity (with 9" rubber extension)	available	available	available	410	470	570

Unless otherwise indicated, all dimensions are in inches with standard equipment installed.  
 Specifications subject to change without notice.  
 Certain features shown may be optional.



**Single Screw Vertical Front View**



**Single Screw Vertical Side View**