

LUCK NOW

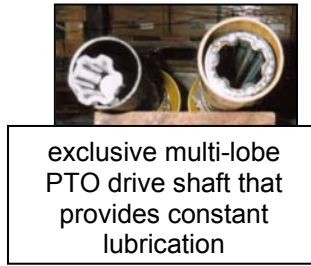
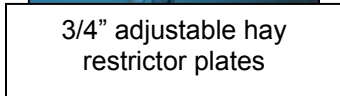
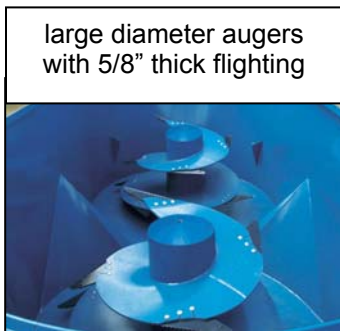
Quality Products Since 1968

Manufactured by:
Helm Welding (1983) Limited

Vertical TMR Mixer Feeders

“Twin Screw”

Standard Features



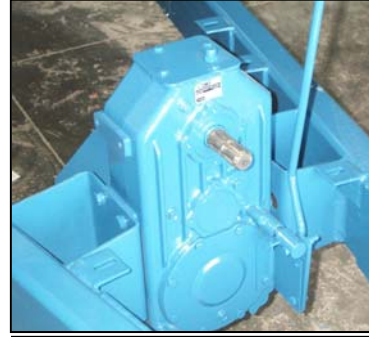
Standard Features

- Adjustable tongue for ease of hook on various draw bar heights
- Door cylinder equipped with relief valve protection
- Planetary drive system with easily accessible service and maintenance lubricating
- Tungsten coated knives
- 540 rpm (2250 model only)
- 1000 rpm (2260, 2270 & 2290 models)
- 2 speed gearbox standard on 2290 model
- All twin screw vertical mixers come complete with a four point scale system including a basic read up, read down electronic indicator

Options



Hydraulic raise and lower discharge conveyor extensions



2-speed gearbox for better mixing power (2260 & 2270 only)



magnet kit available for slide chute or unloading conveyor



Chain overflow kit to retain lighter mixes in tub



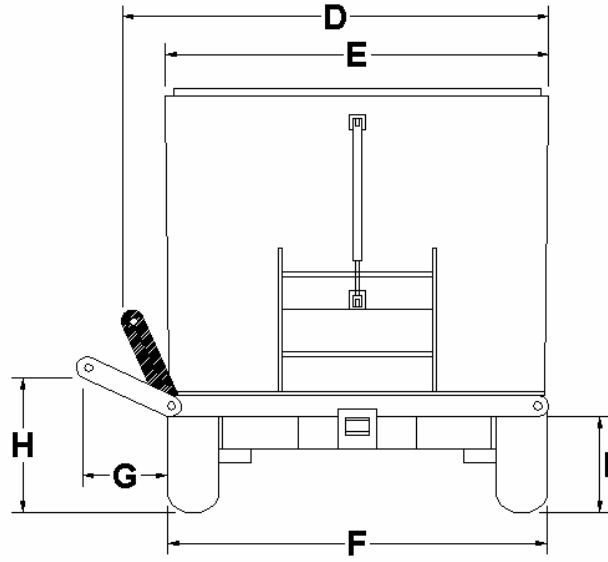
9" rubber extension for larger capacity mixes

- Upgrade to various electronic scale indicators and accessories
- Special conveyor lengths
- knife option – carbide tip

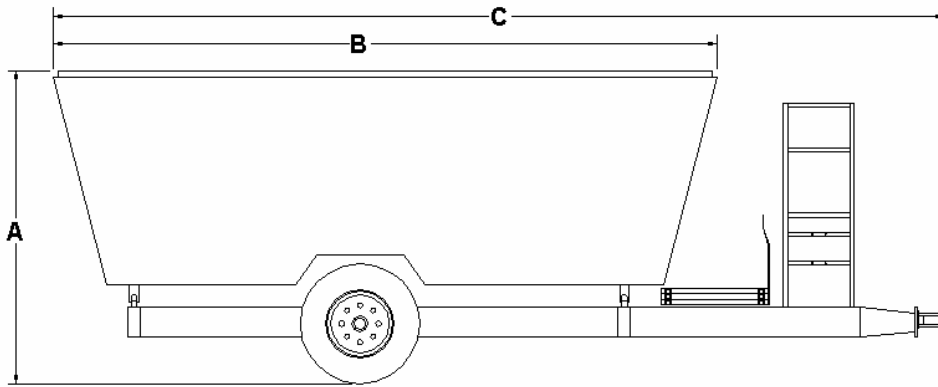
Twin Screw Specification Table

	<u>MODEL</u> 2250	<u>MODEL</u> 2260	<u>MODEL</u> 2270	<u>MODEL</u> 2290
A - Overall Height	97	96	103	103
B - Tub Length	180	203	226	244
C - Overall Length	246	275	308	324
D - Overall Transport Width - Bi-direction conv.	102	102	102	104
- 36" Conveyor Extension	110	110	110	110
E - Tub Width	73	85	87	96
F - Tread Width	90	102	102	104
G - 36" Conveyor Ext - lowest position reach	24	24	24	24
H - 36" Conveyor Ext - min. unloading height	36	36	36	36
- max. unloading height	51	51	51	51
I - Bi-direction Cross Conv. - max. unloading height	25	25	25	25
Scale System	4 - Point	4 - Point	4 - Point	4 - Point
Tires (Size subject to availability)	33 X 15.5- 16.5 (2)	44 X 18 (2)	46 X 16 (2)	46 X 16 (2)
Number of Augers	2	2	2	2
Tungsten Coated Knives (quantity)	6	7	7	7
Auger Flighting (thickness)	5/8	5/8	5/8	5/8
Floor Thickness (excluding 5/8" support plates)	5/8	3/4	3/4	3/4
Hopper Wall (thickness)	1/4	1/4	1/4	1/4
Door Opening Width	44	44	44	44
PTO	540 rpm	1000 rpm	1000 rpm	1000 rpm
Weight c/w cross conveyor & ext. (approx. lbs.)	9,880	14, 000	15, 775	16, 325
Cubic Ft. Level Capacity	425	575	670	805
Cubic Ft. Level Capacity (with 9" rubber extension)	490	650	745	900

Unless otherwise indicated, all dimensions are in inches with standard equipment installed.
 Specifications subject to change without notice.
 Certain features shown may be optional.



Twin Screw Vertical Front View



Twin Screw Vertical Side View