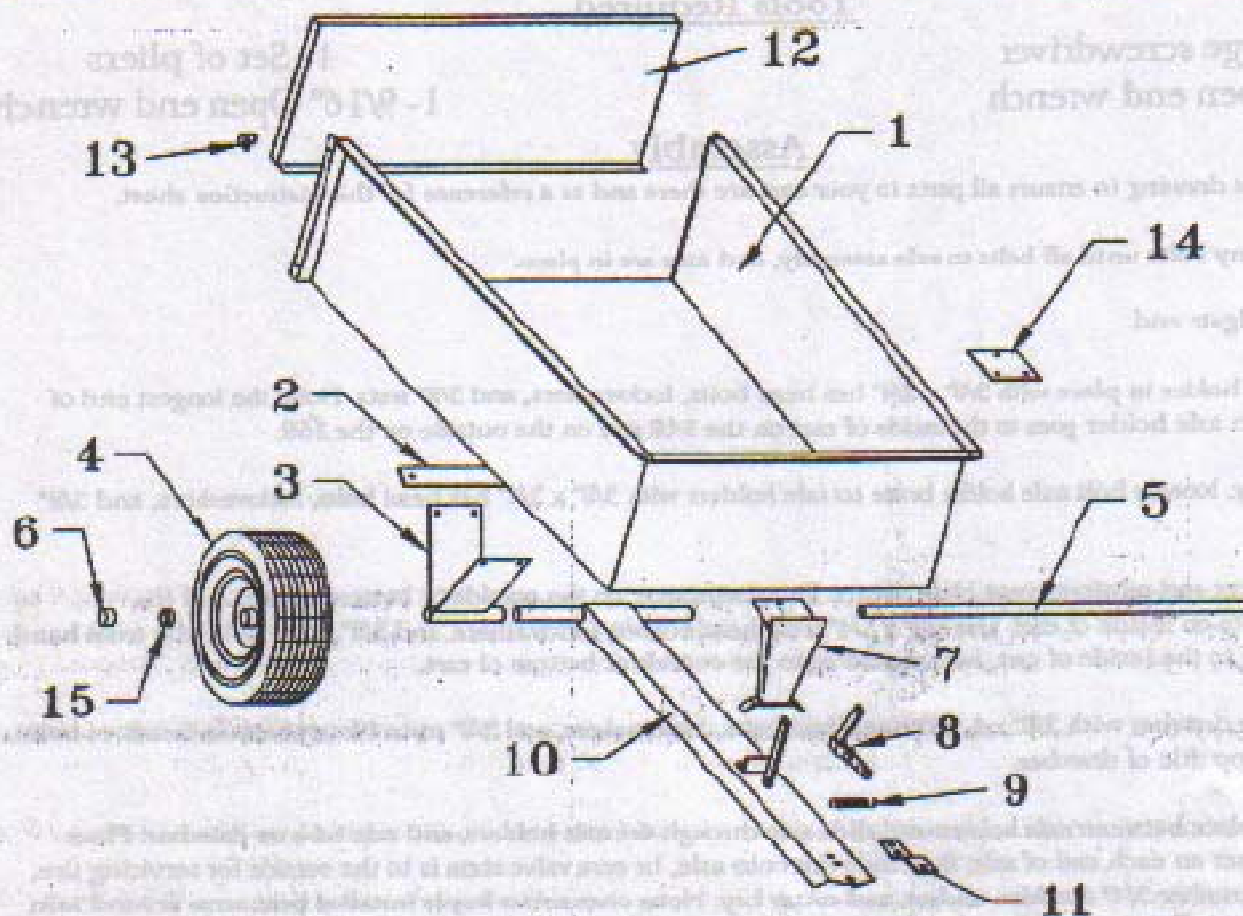


PALMOR TAPERED DUMP CARTS



Model 348-X 10 cubic foot

Model 368-X 18 cubic foot

Item	Part No.	Description	Item	Part No.	Description
1	58120	Cart Body	1	88120	Cart Body
2	58052	Axle Holder Brace	2	----	Only on 348
3	58053	Axle Holder	3	88114	Axle Holder
4	58109	Wheel 16-6.5x3/4	4	88054	Wheel 16-6.5x1
5	58055	Axle	5	88113	Axle
6	58058	Hub Cap	6	58058	Hub Cap
7	58057	Drawbar Spacer	7	88116	Drawbar Spacer
8	58056	Latch Arm	8	58056	Latch Arm
9	58059	Latch Spring	9	58059	Latch Spring
10	58121	Drawbar	10	88121	Drawbar
11	58067	Hitch Plate	11	58067	Hitch Plate
12	58065	Tailgate	12	88119	Tailgate
13	58066	Tailgate Brackets	13	58066	Tailgate Brackets
14	88122	Reinforcement plt.	14	88122	Reinforcement plt.
15	58111	Bushing 3/4" ID	15	88111	Bushing 1" ID

Palmor Products

Dump Cart Assembly Instructions

Tools Required

- 1- Large screwdriver
- 1- 7/16" Open end wrench

- 1- Set of pliers
- 1- 9/16" Open end wrench

Assembly

Refer to the parts drawing to ensure all parts to your cart are there and as a reference for this instruction sheet.

Do not tighten any bolts until all bolts to axle assembly, and axle are in place.

Stand cart on tailgate end.

Loosely bolt axle holder in place with 3/8" x 3/4" hex head bolts, lockwashers, and 3/8" nuts. Note: the longest end of axle holder rod on axle holder goes to the inside of cart on the 348 and on the outside on the 368.

On 348 carts only, loosely bolt axle holder brace to axle holders with 3/8" x 3/4" hex head bolts, lockwashers, and 3/8" nuts.

Bolt drawbar spacer and reinforcement plate to cart. Drawbar spacer on the outside or bottom of cart, and the reinforcement plate on inside of cart. Use 3/8" x 3/4" truss head screws, lockwashers, and 3/8" nuts. Note: the truss heads of bolts should be to the inside of cart, nuts should be to the outside or bottom of cart.

Bolt hitch plate to drawbar with 3/8" x 1 1/4" truss head bolts, lockwashers, and 3/8" nuts. Note: the truss heads of bolts should be to the top side of drawbar.

Hold drawbar in place between axle holders and slide axle through the axle holders, and axle tube on drawbar. Place 3/4" machine washer on each end of axle, then slide tire onto axle, be sure valve stem is to the outside for servicing tire. Secure tires with another 3/4" machine washer, and cotter key. Note: once cotter key is installed bent arms around axle in opposite directions. Snap on plastic hubcaps.

Tighten all bolts to axle assembly now.

Lower cart onto wheels.

Install tailgate brackets with 1/4" x 1 1/4" hex head bolts, lockwashers, and 1/4" nuts. Note: the hex heads on bolts should be to the inside of the cart, the nuts should be to the outside.

Before use be sure to grease all zerks in wheel and axle assembly.

SAFETY RULES AND PRECAUTIONS

1. Never carry passengers in the cart.
2. Slow down over rough terrain, steep inclines, or around creeks and ditches.
3. DO NOT TOW CART ON PUBLIC ROADS.

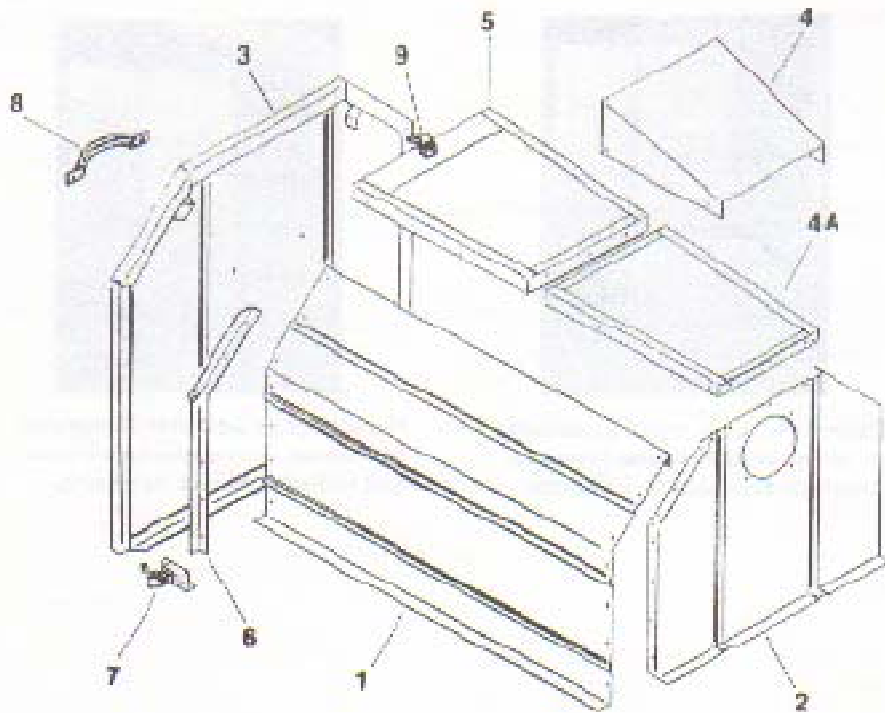
WHEN ORDERING REPAIR PARTS, ALWAYS INCLUDE THE MODEL NUMBER, PART NUMBER, AND PART DESCRIPTION.

MODEL 280/348 CART COVER

ITEM	PART #	DESCRIPTION
1	28047	Side Panel
2	28030	Front Panel
3	28236	Tailgate
4	28232	Deflector
4A	28230	Front Screen
5	28231	Rear Screen
6	28200	Rear Angle RH
	28201	Rear Angle LH
7	28102	Latch Assembly RH
	28103	Latch Assembly LH
8	28104	Handle
9	28105	Top Latch

MODEL 280/368 CART COVER

ITEM	PART #	DESCRIPTION
1	28059	Side Panel
2	28035	Front Panel
3	28238	Tailgate
4	28235	Deflector
4A	28234	Front Screen
5	28233	Rear Screen
6	28100	Rear Angle RH
	28101	Rear Angle LH
7	28102	Latch Assembly RH
	28103	Latch Assembly LH
8	28104	Handle
9	28105	Top Latch



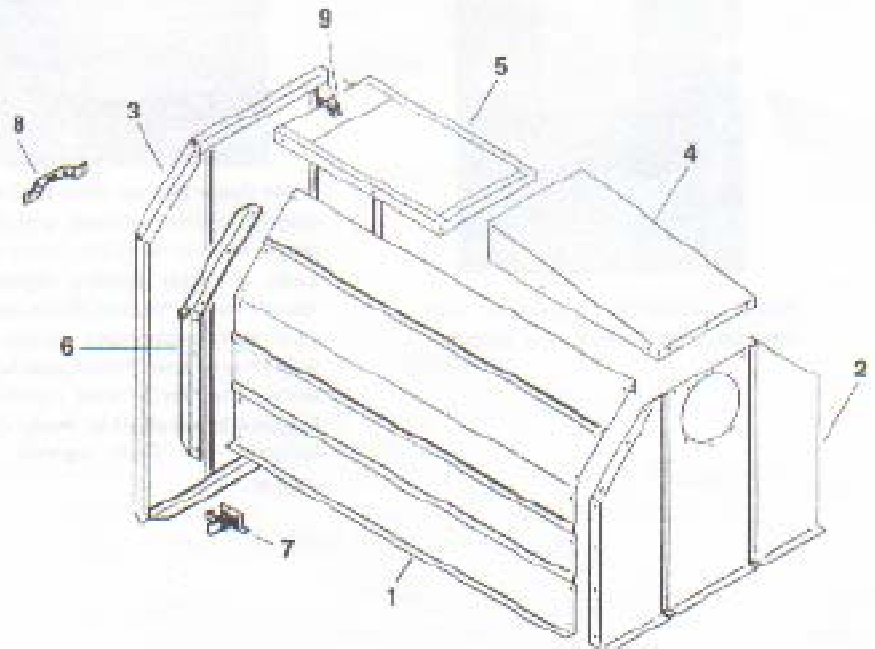
MODEL 348/368

MODEL 280/345 CART COVER

ITEM #	PART #	DESCRIPTION
1	28047	Side Panel
2	28030	Front Panel
3	28132	Tailgate
4	28130	Deflector
5	28131	Screen
6	28100	Rear Angle RH
	28101	Rear Angle LH
7	28102	Latch Assembly RH
	28103	Latch Assembly LH
8	28104	Handle
9	28105	Top Latch

MODEL 280/360 CART COVER

ITEM #	PART #	DESCRIPTION
1	28059	Side Panel
2	28035	Front Panel
3	28136	Tailgate
4	28134	Deflector
5	28133	Screen
6	28100	Rear Angle RH
	28101	Rear Angle LH
7	28102	Latch Assembly RH
	28103	Latch Assembly LH
8	28104	Handle
9	28105	Top Latch



MODEL 345/360