

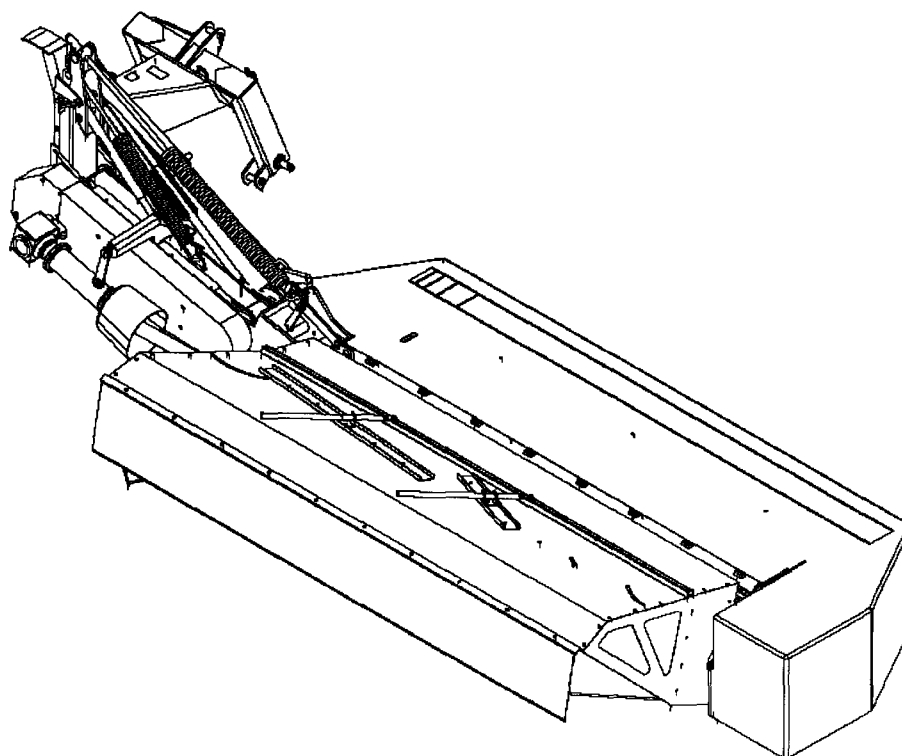


Operation manual

DMP 2401 TC

DMP 3001 TC

DMP 3201 TC



70.008.750/2

© Kverneland
