

*Designed.  
Engineered.  
Remarkable  
Value.*



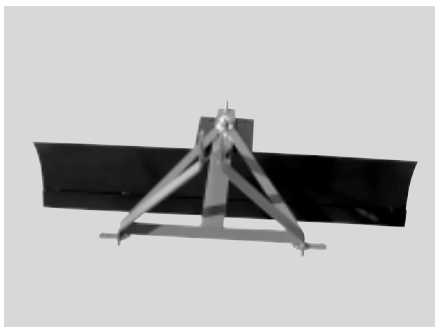
## Versatile Rear Tractor Blades

Models for Back Filling • Landscaping  
• Snow Removal • Grading and Ditching





## Worksaver® Rugged Rear Blades— for the Tough Jobs!



### DC Series Blades

A value-priced line of blades designed for snow removal, lot and driveway grading, and light-duty landscaping. The simple but rugged A-frame design will provide years of dependable service.

#### Specifications

##### Tractor

Maximum hp ..... 25  
3-pt hitch ..... Cat. 0/I

##### Moldboard

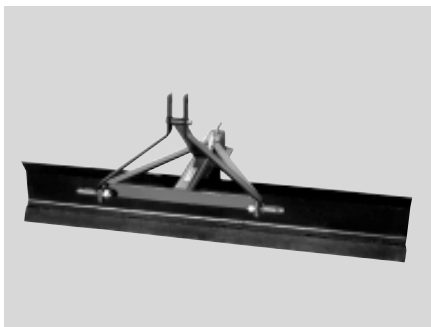
Width ..... 4 ft & 5 ft  
Height ..... 13 in  
Thickness ..... 1/4 in  
Cutting edge ..... 3/8 x 3 in, welded

##### Adjustments

Angle ..... 360°, 10 stops  
Offset ..... NA  
Tilt ..... NA

##### Weight

DC-4 ..... 114 lb  
DC-5 ..... 126 lb



### MCB Series Blade

Designed for the price-sensitive buyer requiring a 6-foot blade for snow removal, lot and driveway grading, and light landscaping. It is designed to work with tractors up to 35 hp.

#### Specifications

##### Tractor

Maximum hp ..... 35  
3-pt hitch ..... Cat. I

##### Moldboard

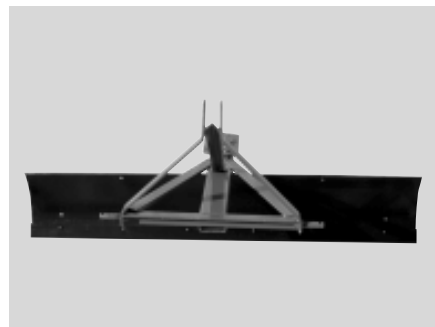
Width ..... 6 ft  
Height ..... 13 in  
Thickness ..... 1/4 in  
Cutting edge ..... 3/8 x 3 in, welded

##### Adjustments

Angle ..... 360°, 6 stops  
Offset ..... NA  
Tilt ..... NA

##### Weight

MCB-6 ..... 165 lb



### EB Series Blades

An economical line of blades designed for snow removal, lot and driveway grading, light-duty construction and landscaping. The A-frame and welded design ensure long service life. Models feature manual adjustment of offset and angle positions. Replaceable high carbon steel cutting edge is standard.

#### Specifications

##### Tractor

Maximum hp ..... 35  
3-pt hitch ..... Cat. I

##### Moldboard

Width ..... 6 ft & 7 ft  
Height ..... 13 in  
Thickness ..... 1/4 in  
Cutting edge ..... 3/8 x 3 in  
high carbon steel,  
single bevel, bolt on

##### Adjustments

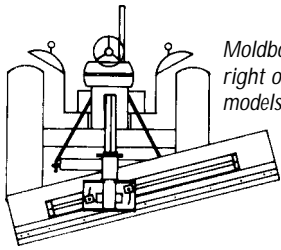
Angle ..... 360°, 8 stops  
Offset ..... 12 in R or 12 in L  
Tilt ..... NA

##### Weight

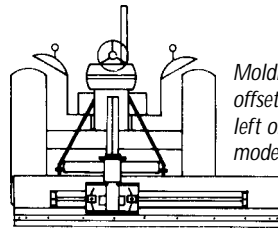
EB-6 ..... 190 lb  
EB-7 ..... 206 lb

##### Options

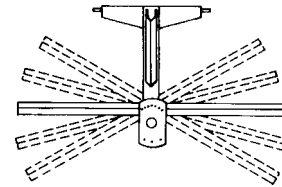
Skid shoes



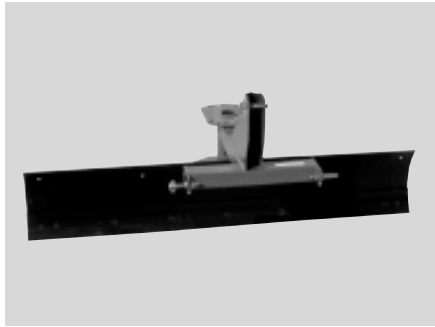
Moldboard tilts 20 degrees right or 20 degrees left on models UB-650-T, UB-750-T and UB-850-T; and 15 degrees right or 15 degrees left on models RB-880, XHB-1096 and XHB-1120



Moldboard offsets right or left on select models



Forward and reverse angle adjustments vary by models



### UB Series Blades

UB blades feature a sturdy all-welded steel frame with heavy 15-inch-high by 1/4-inch-thick moldboards. Heavy-duty tube main frame provides a long service life. These blades can rotate 360 degrees and offset up to 12 inches right or left. They are designed to work with tractors up to 50 hp. Reversible high carbon steel cutting edge is standard.

#### Specifications

##### Tractor

Maximum hp ..... 50  
3-pt hitch ..... Cat. I

##### Moldboard

Width ..... 6 ft, 7 ft & 8 ft  
Height ..... 15 in  
Thickness ..... 1/4 in  
Cutting edge ..... 1/2 x 6 in  
high carbon steel,  
reversible, bolt on

#### Adjustments

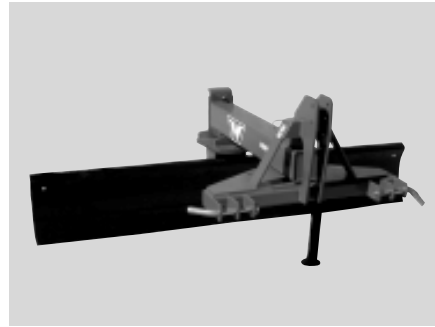
Angle ..... 360°, 10 stops  
Offset ..... 12 in R or 12 in L  
Tilt ..... 20° R or 20° L  
models UB-650T, UB-750T  
& UB-850T only

#### Weight

UB-645 ..... 275 lb  
UB-745 ..... 300 lb  
UB-650-T ..... 306 lb  
UB-750-T ..... 331 lb  
UB-850-T ..... 370 lb

#### Options

Skid shoes  
End plates



### RB Series Blade

The RB blade is designed for heavy-duty work with tractors up to 80 hp. A heavy-duty 6-inch by 6-inch main beam and reinforced blade add extra strength to the 1/4-inch-thick moldboard. Angle, tilt, and offset (swing arm) are manually controlled. Reversible high carbon steel cutting edge is standard. A parking stand is provided for easy storage and convenient hook up.

#### Specifications

##### Tractor

Maximum hp ..... 80  
3-pt hitch ..... Cat. I/II

##### Moldboard

Width ..... 8 ft  
Height ..... 15 in  
Thickness ..... 1/4 in  
Cutting edge ..... 1/2 x 6 in  
high carbon steel,  
reversible, bolt on

#### Adjustments

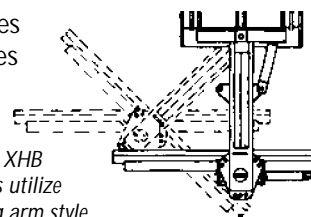
Angle ..... 360°, 10 stops  
Offset (swing) ..... 30 in R or 30 in L  
Tilt ..... 15° R or 15° L

#### Weight

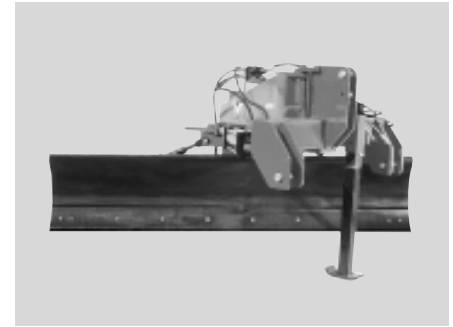
RB-880 ..... 668 lb

#### Options

Skid shoes  
End plates



RB & XHB Series utilize swing arm style offset



### XHB Series Blades

The XHB blades are designed for heavy-duty farm and construction use with tractors up to 120 hp (depending upon model). The 19-1/2 inch-high by 5/16-inch-thick moldboard is designed for extra strength. XHB blades can be equipped with three hydraulic cylinders for full hydraulic control or with a combination of hydraulic and manually operated functions. A retractable heavy-duty parking stand is standard. The blade is equipped with a reversible high carbon steel cutting edge.

#### Specifications

##### Tractor

Maximum hp ..... 120 for 8-ft blade  
110 for 10-ft blade  
3-pt hitch ..... Cat. II

##### Moldboard

Width ..... 8 ft & 10 ft  
Height ..... 19-1/2 in  
Thickness ..... 5/16 in  
Cutting edge ..... 1/2 x 6 in  
high carbon steel,  
reversible, bolt on

#### Adjustments

Angle ..... 360°  
Offset (swing) ..... 30 in R or 30 in L  
Tilt ..... 15° R or 15° L

#### Weight

XHB-1096 ..... 1,121 lb  
XHB-1120 ..... 1,227 lb

#### Options

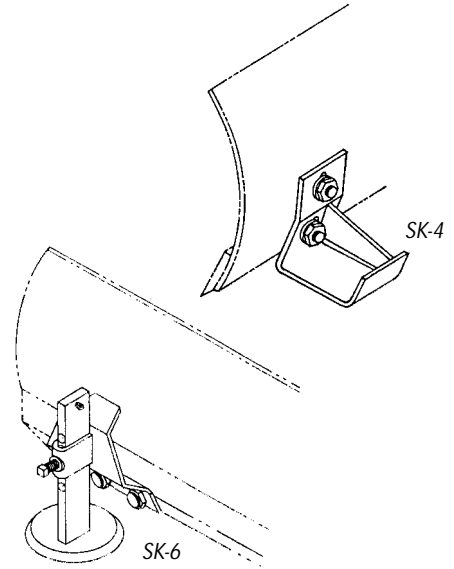
Skid shoes  
Hydraulic cylinder kit  
Crossover relief valve kit  
Ratchet jack

# Worksaver® Rear Blade Options

## Skid Shoes for Rear Blades

- Remove Snow
- Level Gravel
- Clean Feedlots or Barns
- Reduce Blade Damage
- Increase Blade Life
- Prevent Gouging

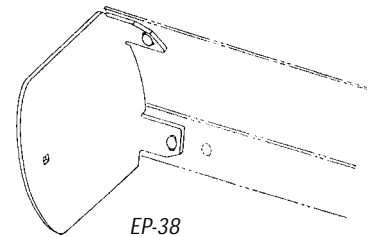
Snow removal and farm cleanup have fewer surprises when skid shoes are attached to the rear blade. No more guessing blade height each time you lower the blade. Skid shoes provide adjustable clearance to travel over uneven surfaces that can damage the blade. They also help prevent damage to the blade when used in cleaning level surfaces, simplifying operations on driveways, barn floors and feedlots.



Model	Number	Description	Weight
SK-4	320035	Skid Shoes for EB Series Blades	9 lb
SK-6	346630	Skid Shoes for UB & RB Series Blades	24 lb
	348050	Skid Shoes for XHB Series Blades	28 lb

## End Plates for Rear Blades

Material handling is easier when you install rear blade end plates. Quickly gather and efficiently move dirt, gravel, slurry or manure to more desirable locations.



Model	Number	Description	Weight
EP-38	346620	End Plates for UB & RB Series Blades	44 lb

*Designed.  
Engineered.  
Remarkable  
Value.*

*On the front cover: Worksaver UB Series Blade*



*WORKSAVER, INC. has a corporate policy of continuous product improvement and development; therefore, specifications are subject to change without any advance notice. WORKSAVER, INC. is not responsible for differences between specifications or illustrations contained in this publication and the actual equipment.*



**Worksaver, Inc.**

P.O. Box 100, Litchfield, IL 62056-0100  
Phone: 217-324-5973 • Fax: 217-324-3356  
E-mail: sales@worksaver.com  
Web: www.worksaver.com

Distributed by: